



LAKE SIDE FLOOD SOLUTIONS

LAKE SIDE STAINLESS STEEL FLOOD COVER



PRODUCT DATA SHEET





LAKESIDE
FLOOD SOLUTIONS

LFS Stainless Steel Flood Cover

Robust, efficient and effective.
Easy to operate for rapid deployment.

Specification:

- Material: Stainless Steel 304
- Type: Permanent Frame, Demountable Leaf
- Plate Thickness: 1.5mm
- Seals: EPDM Waterproof Seals
- Finish Options:
 - a) Standard S.S. hairline finish
 - b) Powder coating to any standard RAL colour

PRODUCT DATA SHEET

Key features:

- Robust Stainless Steel 304 or Stainless Steel 316 for marine environments
- Manual measure; easy & quick to deploy by one person
- Can be recessed into opening or face mounted
- Completely demountable leaf for full, unobstructed access to opening
- Easy to maintain



01792 561117

sales@lakesidefloodsolutions.co.uk

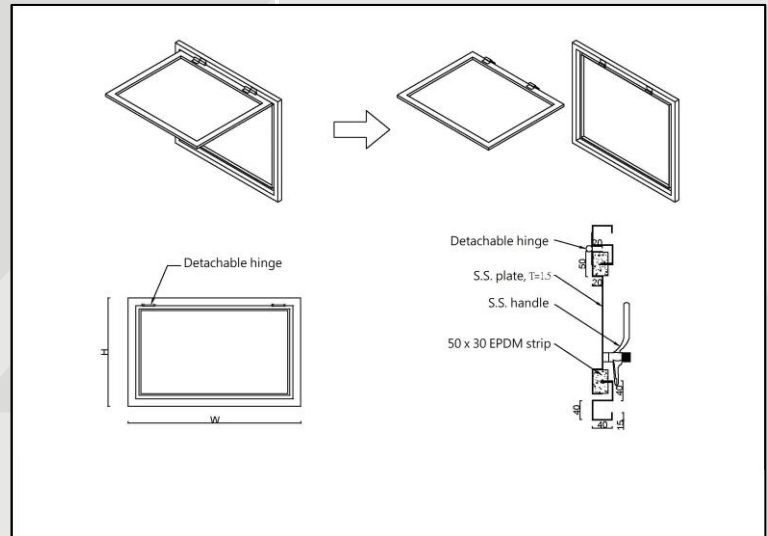
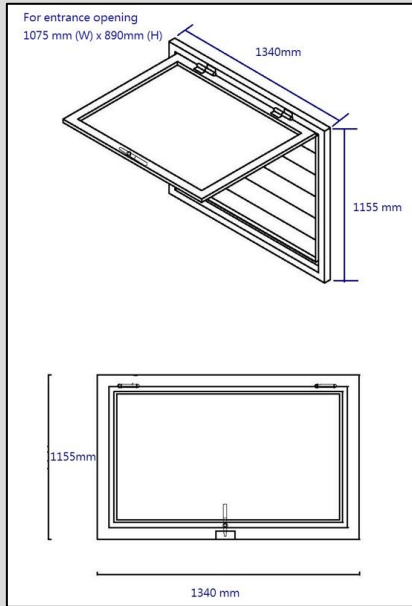
Bruce Road, Fforestfach Industrial Estate, Swansea SA5 4HS



www.lakesidefloodsolutions.co.uk



GA Drawings available upon request



Internal Ventilation Options



With or without Louvres

