



# LAKESIDE FLOOD SOLUTIONS

## LAKESIDE SELF-CLOSING FLOOD BARRIER (SCFB)



## PRODUCT DATA SHEET





**LAKESIDE**  
FLOOD SOLUTIONS

## LFS Self-Closing Flood Barrier (SCFB)

A unique, automatic flood defence system.  
Effectively uses the problem to create the solution.

### Specification:

- **Basin:** concrete, galvanised steel or stainless steel
- **Floating wall:** PUR foam core with a fiberglass or GRP outer layer
- **Walls:** reinforced with composite profiles and textile fiberglass; fabricated in 1m lengths
- **Connections of the walls:** reinforced rubber strip and stainless-steel mounting strips
- **Guide rails or guide slots** as end protection

## PRODUCT DATA SHEET

### Key features:

- **No energy required** – operates even in a power outage
- **No manpower** – automatically deployed
- **No storage** – in resting position, the SCFB is invisible and fully self-protected below ground
- **Short closing time** – and only deploys in the event of a flood
- **Low operational cost** – high quality elements, simple inspection



01792 561117

[sales@lakesidefloodsolutions.co.uk](mailto:sales@lakesidefloodsolutions.co.uk)

Bruce Road, Fforestfach Industrial Estate, Swansea SA5 4HS

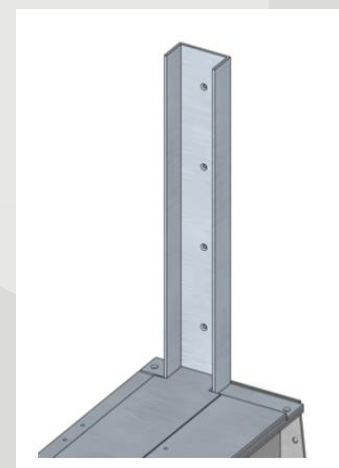
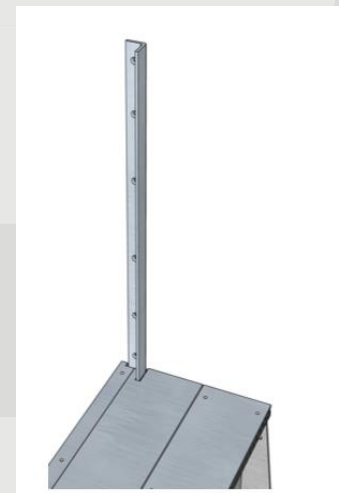
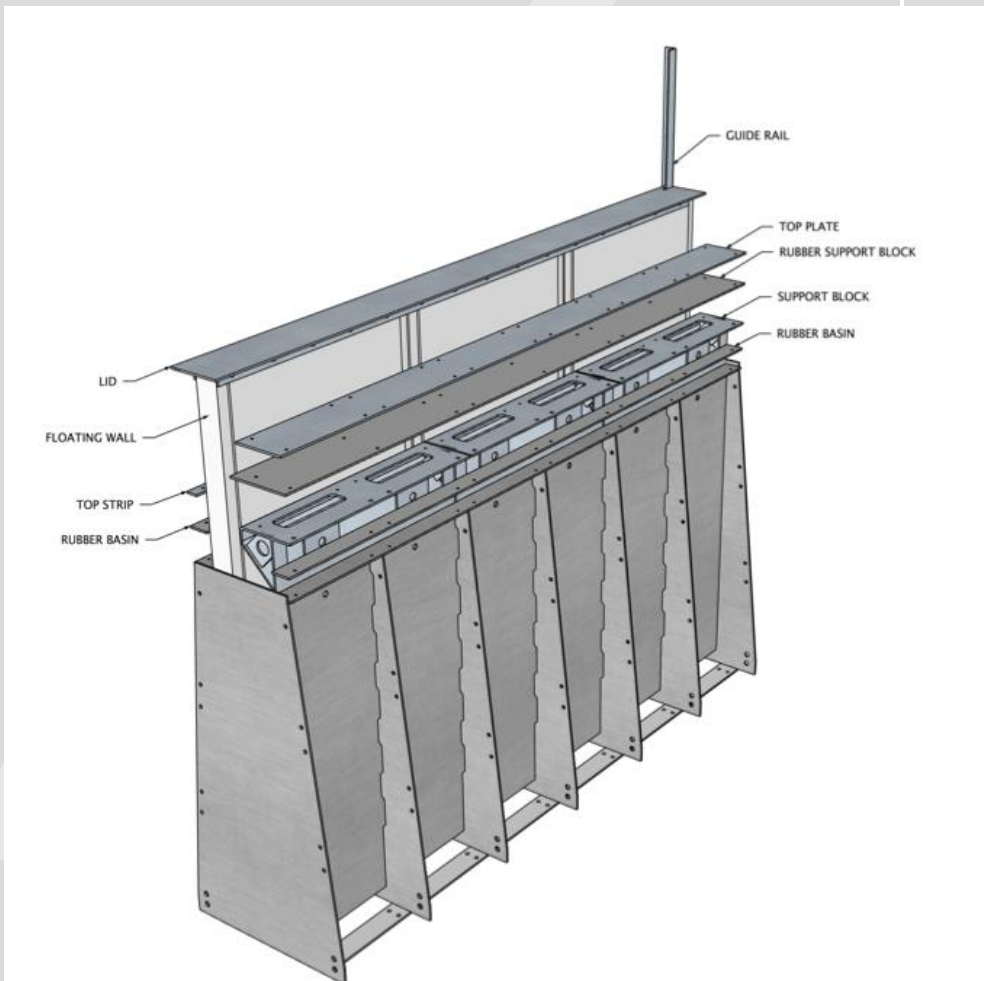
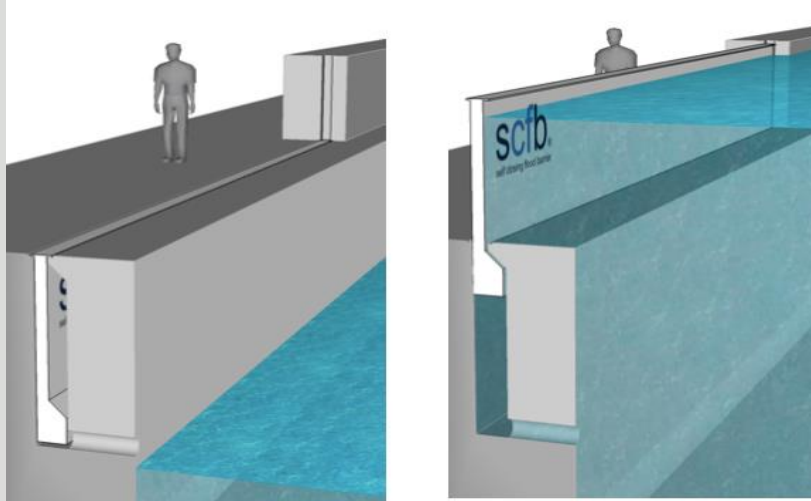


[www.lakesidefloodsolutions.co.uk](http://www.lakesidefloodsolutions.co.uk)



**LAKESIDE**  
FLOOD SOLUTIONS

## PRODUCT DATA SHEET



01792 561117

[sales@lakesidefloodsolutions.co.uk](mailto:sales@lakesidefloodsolutions.co.uk)

Bruce Road, Fforestfach Industrial Estate, Swansea SA5 4HS

**34**  
years  
of excellence

1988 -2022

[www.lakesidefloodsolutions.co.uk](http://www.lakesidefloodsolutions.co.uk)